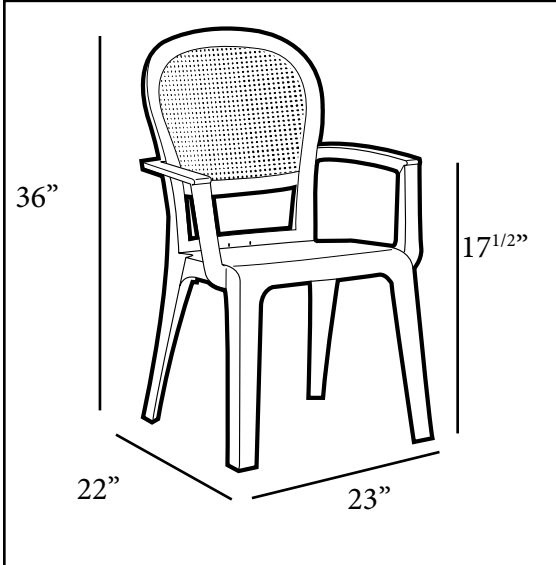




COMMERCIAL RESIN FURNITURE

Your best value for Food Service & Hospitality!

Seville Highback Stacking Armchair



Passes ASTM F 1561-96 Class B performance standard for commercial outdoor seating

Features & Benefits **Warranty: 3 Yrs.**

- Specifically built for food service use.
- Open mesh back design to provide cool, yet positive support.
- Made of Kevring® cast synthetic resin, a proprietary resin composite specifically developed to allow the replication of cast metal without the maintenance and at a fraction of the cost.
- True metal texture and a satin finish.
- Will stay cool in the sun.
- Will retain its original color, texture, and finish with little maintenance and without rusting.
- Rated to 300 pounds for safe use in commercial environments.
- Stacks for easy storage.
- Cleans easily with soap (or a mild detergent) and water.

Product Specifications						
Product Description	Reference Number	Color	UPC Code 014306	Weight Each (lbs.)	Master Pack	Master Pack Volume (cu. ft.)
Seville Highback Stacking Armchair	46105002	Charcoal	122410	9.31	16	37.28
	US105002	Charcoal	122410	10.50	4	14.97
	46105085	Metal Green	122397	9.31	16	37.28
	US105085	Metal Green	122397	10.50	4	14.97