

# NITRON® All-Nitro Cold Draft 4:1 to 12:1

34.0" x 28.4" x 10.0"  
(86.4cm x 72.1cm x 25.4cm)



Tank Regulator Required

- Patented BUNN gas infusion technology can produce up to 3 minutes of cascading micro-bubbles
- Patented High Intensity® mixing chamber assures a perfectly blended finished beverage, from cup to cup
- Uses familiar 1-gallon bag-in-box (BIB) concentrates and refillable containers that are easy to manage, with each BIB serving from 5 to 13 gallons of finished drinks
- Chrome-plated brass tap handles and nitro stout nozzles provide the quality-oriented craft experience of serving a premium beverage on tap
- Serve two different coffees or teas as a nitrogenated beverage using 1- gallon concentrate BIBs or refillable containers
- Automatic water bath fill maintains water bath level for optimal cold beverage capacity
- Sleek, all-black door complements any commercial setting
- Flashing red LED light on door alerts the operator when to replenish nitrogen tank
- At a rate of one 16oz drink per minute, can dispense 60 drinks before exceeding 41°F (75°F incoming water)
- Refrigerated product cabinet protects flavor integrity and product life
- Large dispense area accommodates taller cups and carafes up to 8.76"
- Service-friendly design makes set-up and maintenance simple

Agency:



## Specifications

**Product #:** 51600.0011

**Flavors:** 2 Flavors

**Product Ratio:** 4:1-12:1

**Connector:** Ball-valve

**Water Access:** Plumbed

**Finish:** Black

**Door:** Un-Lit

**Refrigerant:** R-134A

**Ice Bank:** 8.00 lbs (3.629 kgs)

**Dispense:** Pull & Hold

## Additional Features

## Electrical & Capacity

Volts	Amps	Watts	Cord Attached	Plug Type	8oz cups/hr 236ml cups/hr	Input H <sup>2</sup> O Temp.	Phase	# Wires plus Ground	Hertz
120	6	720	Yes	NEMA 5-15P	-	60°F (15.5°C)	1	2	60

## Plumbing Requirements

PSI	kPa	Fitting Supplied	Water Flow Required (GPM)
30-90	207-621	3/8" Male Flare Fitting	0.94

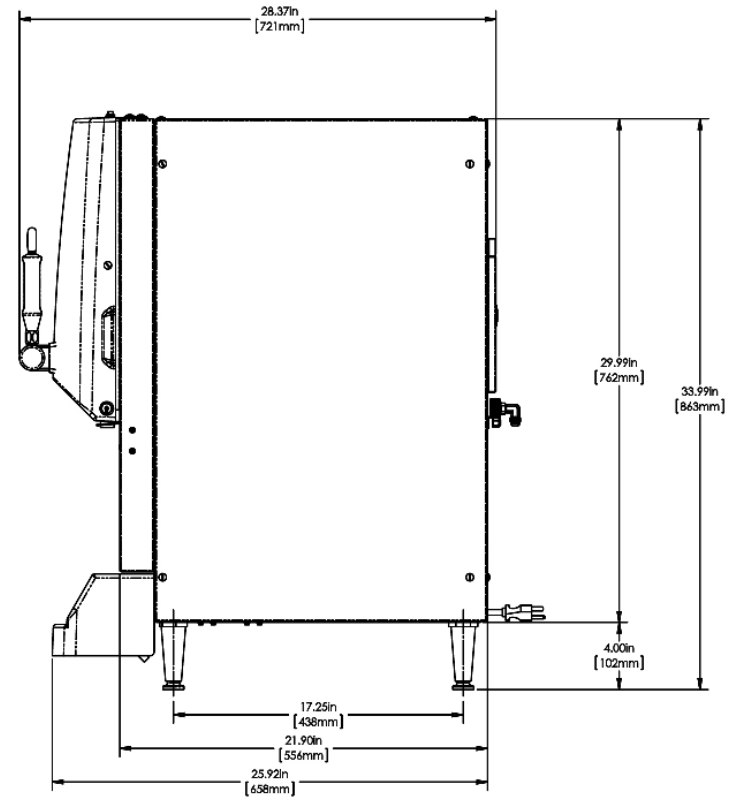
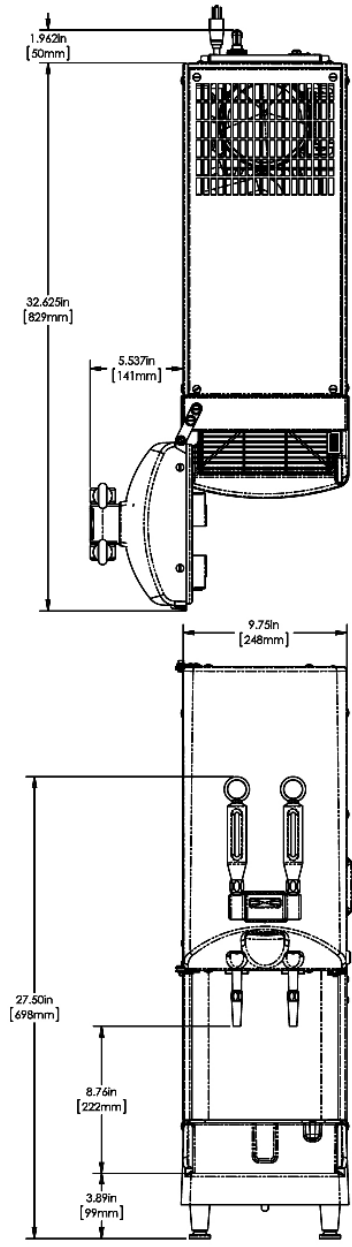
## CAD Drawings

2D	Revit	KLC
•		



BUNN® reserves the right to change specifications and product design without notice. Such revisions do not entitle the buyer to corresponding changes, improvements, additions or replacements for previously purchased equipment. For most current specifications and other info visit [bunn.com](http://bunn.com).

Created on:  
02/26/2019




Unit			Shipping					
	Width	Height	Depth	Width	Height	Depth	Weight	Volume
English	10.0 in.	34.0 in.	28.4 in.	22.8 in.	43.7 in.	30.5 in.	130.000 lbs	17.586 ft³
Metric	25.4 cm	86.4 cm	72.1 cm	57.9 cm	111.0 cm	77.5 cm	58.968 kgs	0.498 m³



BUNN® reserves the right to change specifications and product design without notice. Such revisions do not entitle the buyer to corresponding changes, improvements, additions or replacements for previously purchased equipment. For most current specifications and other info visit [bunn.com](http://bunn.com).

Created on:  
02/26/2019

## Related Products & Accessories: NITRON® All-Nitro Cold Draft 4:1 to 12:1(51600.0011)




SANITIZER, KAY-5  
(BOX-200 PKTS)

Product #: 24634.0000


SANITIZER, KAY-5  
(BOX-50 PKTS)

Product #: 24634.0001



WATER FILTER,  
EQHP-10

Product #: 39000.0004



WATER FILTER,  
EQHP-5C

Product #: 39000.0014



CONTAINER ASSY,  
REFILLABLE

Product #: 39302.0000



KIT, PRIMARY N2  
REGULATOR

Product #: 54060.0000



BUNN® reserves the right to change specifications and product design without notice. Such revisions do not entitle the buyer to corresponding changes, improvements, additions or replacements for previously purchased equipment. For most current specifications and other info visit [bunn.com](http://bunn.com).

Created on:  
02/26/2019

# Serving & Holding Options: NITRON® All-Nitro Cold Draft 4:1 to 12:1(51600.0011)

\*Serving and Holding selections are currently unavailable. Please contact your sales representative to find out more information.\*



BUNN® reserves the right to change specifications and product design without notice. Such revisions do not entitle the buyer to corresponding changes, improvements, additions or replacements for previously purchased equipment. For most current specifications and other info visit [bunn.com](http://bunn.com).

Created on:  
02/26/2019