

**MODEL**

**PROJECT** \_\_\_\_\_

**ITEM** \_\_\_\_\_

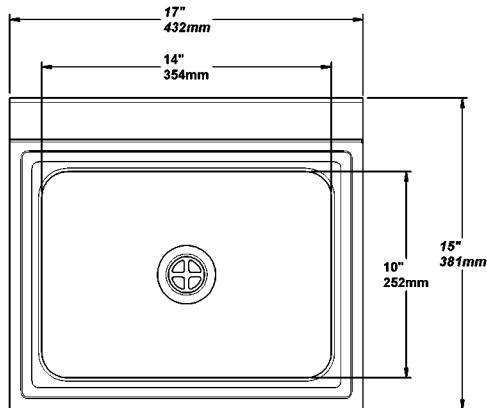
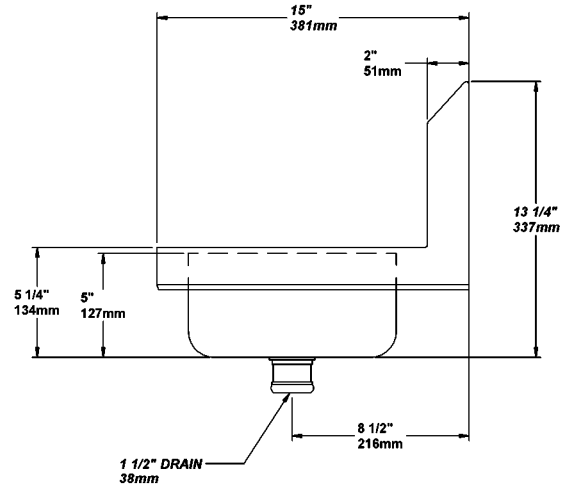
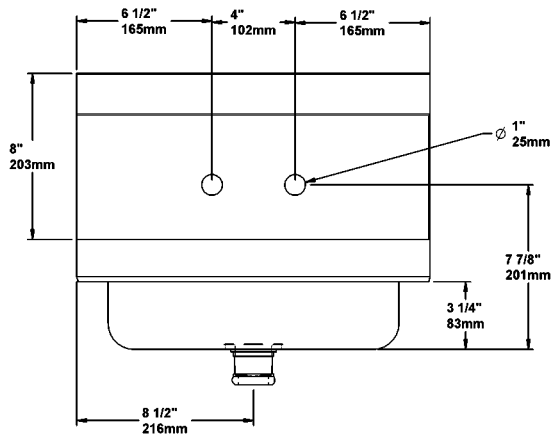


### DESCRIPTION

- Entirely fabricated in 20 ga. type 304 stainless steel, brushed finish, welded and polished.
- Center drain with crumb cup.
- 8" (203mm) backsplash.
- Bowl (14" x 10" x 5") fabricated with covered corners.
- Dimensions:
  - 17" long
  - 15" deep
- Wall mount bracket
- Goose neck 4" center/center faucet

**SEHS-17**





MODEL	LENGTH	DEPTH	HEIGHT	BOWL DIMENSIONS	VOLUME	WEIGHT
SEHS-17	17" 432mm	15" 381mm	13 1/4" 337mm	14" x 10" x 5" (LxWxD)	2 ft <sup>3</sup> 0.06 m <sup>3</sup>	11 lbs 5 kg