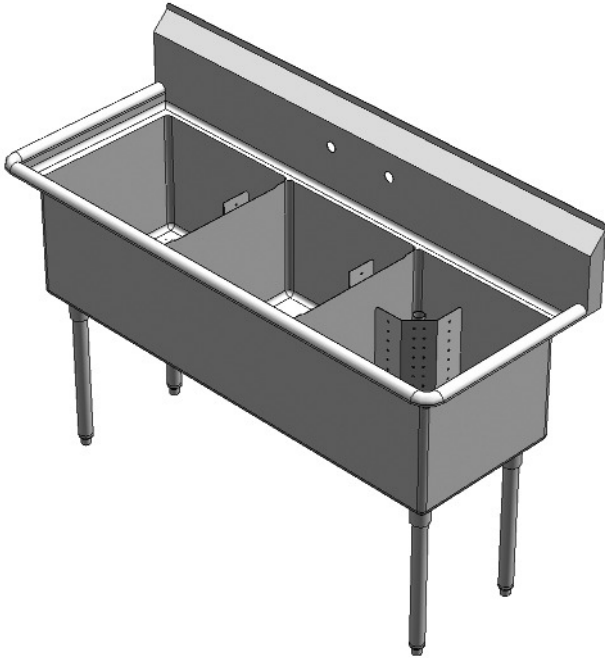


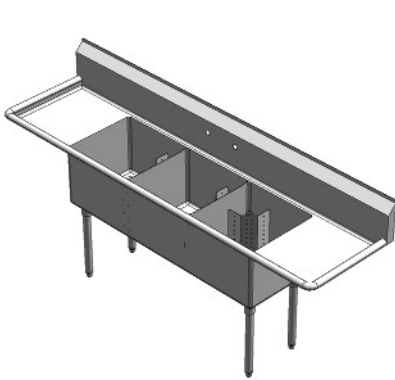
## MODELS

PROJECT \_\_\_\_\_

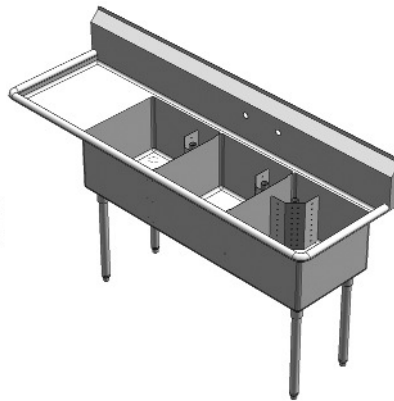
ITEM \_\_\_\_\_



**PSC-54**



**PSC-54DD18 (DD24)**

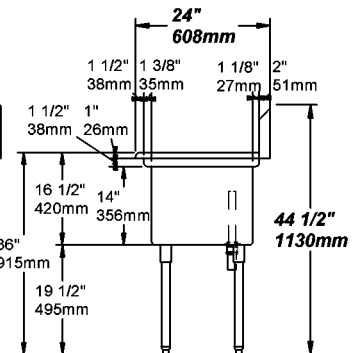
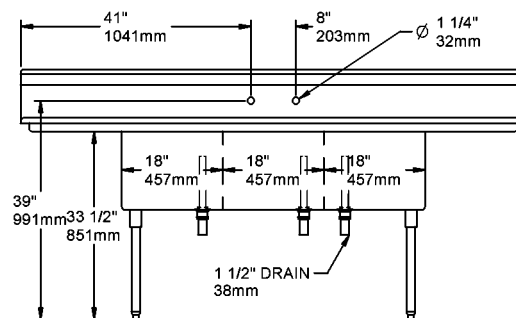
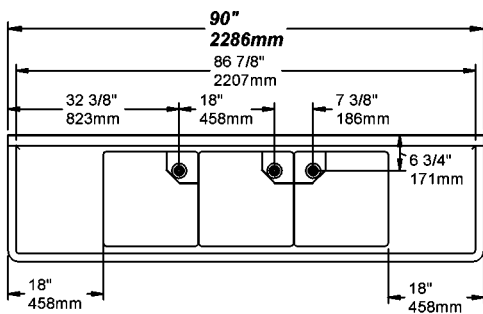
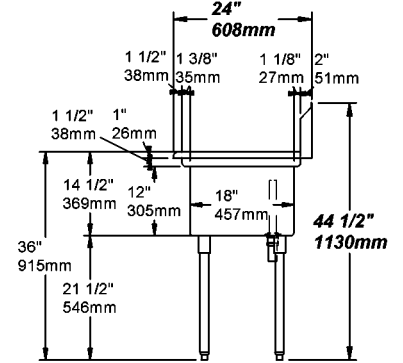
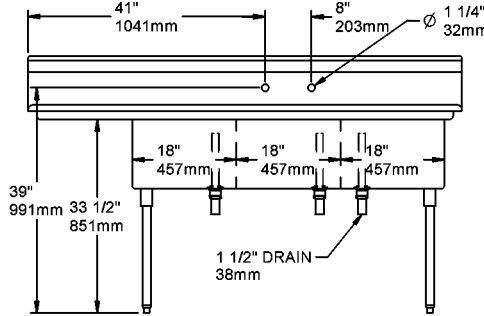
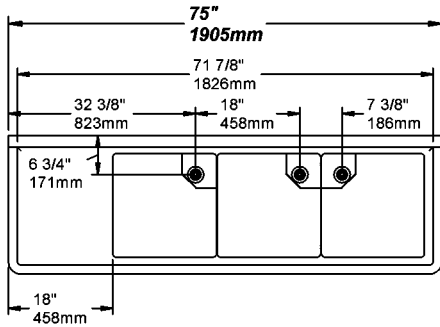
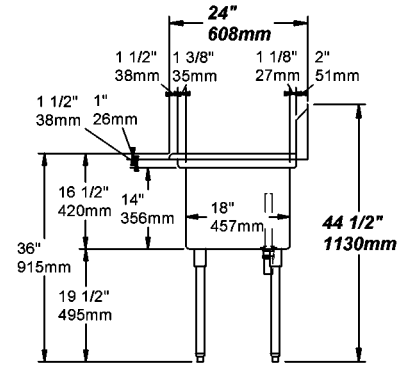
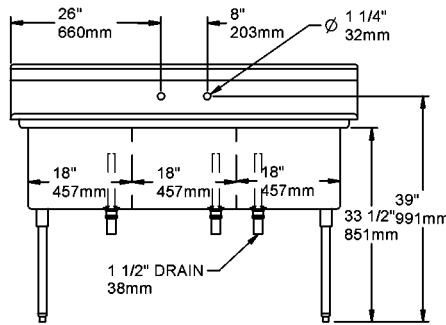
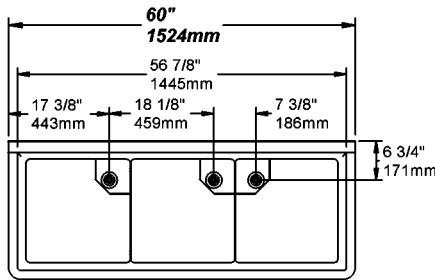


**PSC-54LD18 (RD18)**

## DESCRIPTION

- Entirely fabricated in 18 ga. type 304 stainless steel, brushed finish, welded and polished.
- Corner drains with overflow pipes and strainers.
- 9" (229mm) backsplash.
- Galvanized steel tubular legs with adjustable bullet feet.
- Bowls fabricated with coved corners.
- Dimensions:  
60" - 75" - 90" - 102" long  
24" deep





MODEL	LENGTH	DEPTH	HEIGHT	BOWLS	DRAINBOARD	VOLUME	WEIGHT
PSC-54	60" 1524mm	24" 608mm	44.5" 1130mm	3	NONE	23.3 ft <sup>3</sup> 0.7 m <sup>3</sup>	80 lbs 36.3 kg
PSC-54 RD18	75" 1905mm	24" 608mm	44.5" 1130mm	3	18" RIGHT	27.1 ft <sup>3</sup> 0.8 m <sup>3</sup>	85 lbs 38.6 kg
PSC-54 LD18	75" 1905mm	24" 608mm	44.5" 1130mm	3	18" LEFT	27.1 ft <sup>3</sup> 0.8 m <sup>3</sup>	85 lbs 38.6 kg
PSC-54 DD18	90" 2286mm	24" 608mm	44.5" 1130mm	3	18" 2 SIDES	35 ft <sup>3</sup> 1 m <sup>3</sup>	90 lbs 40.8 kg
PSC-54 DD24	102" 2591mm	24" 608mm	44.5" 1130mm	3	24" 2 SIDES	39.7 ft <sup>3</sup> 1.1 m <sup>3</sup>	97 lbs 44 kg