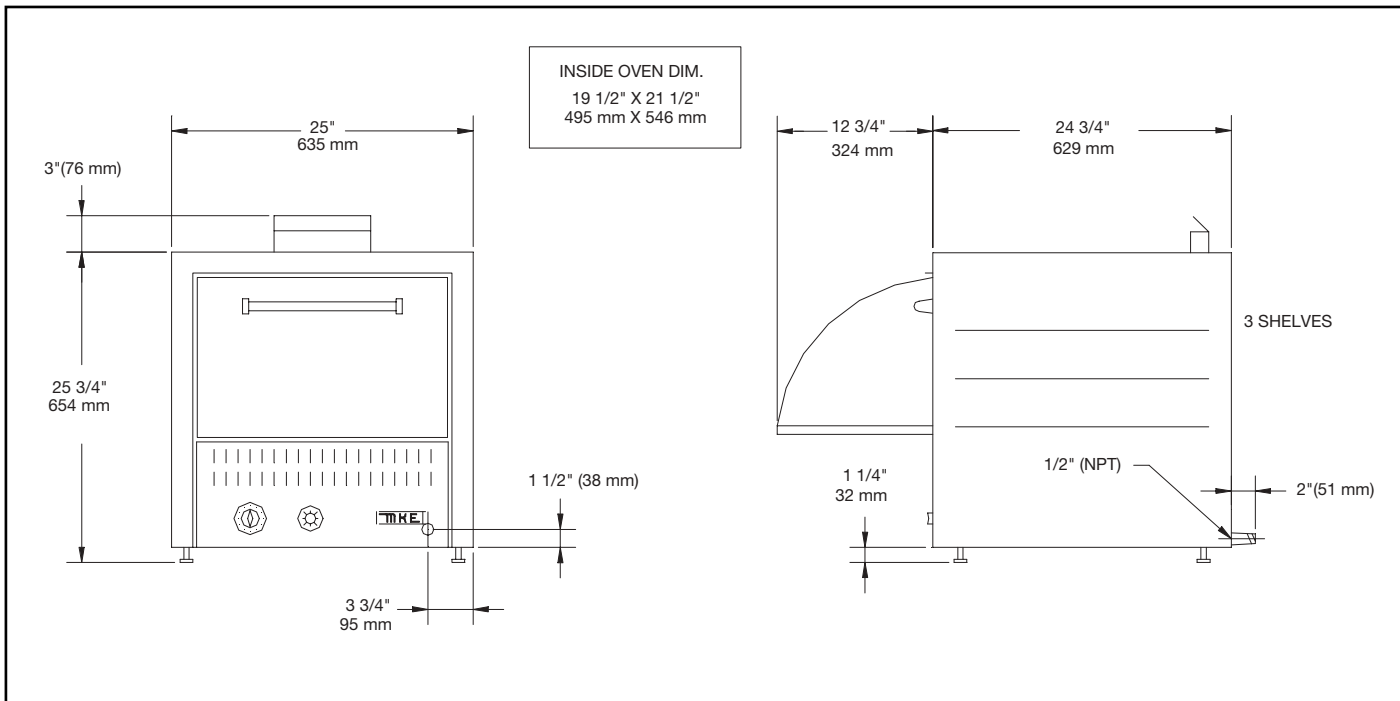




PROJECT _____
ITEM _____

DESCRIPTION

- 25 000 BTU gas burner pizza oven.
- Three "Pyrorock" shelves provide even heat overall cooking surfaces.
- Thermostatically controlled with a 15-minute timer.
- Will cook twelve 9" (229 mm) pizzas or three 15" (381 mm) pizzas at the same time.
- Stainless steel front, sides and back.



| Model | Length | Depth | Height | Power | Shelves | Volume | Weight |
|--------|---------------|-------------------|-------------------|---------------|---------|--|--------------------|
| PG-200 | 25" 635 mm | 24 3/4" 629 mm | 28 3/4" 731 mm | 25,000 BTU | 3 | 13.34 ft ³ 0.38 m ³ | 235 lbs. 107 kg |

REQUIRED CLEARANCE

- Adapted for installation on a combustible surface.
- For installation on or near combustible materials.
- Required minimal distances are:
6 inches from the sides
6 inches from the back
* FOR COMMERCIAL USE ONLY

WARNING

The gas pressure control on this appliance must be set at the required pressure:
11 water column inches for propane gas, or
7 water column inches for natural gas.

* Specifications may change without notice due to continuous product improvement