

# ELECTRIC PIZZA OVEN

PE-100



**MODEL  
PE-100**



PROJECT \_\_\_\_\_

ITEM \_\_\_\_\_

## DESCRIPTION

- This small electric pizza oven is ideal for limited space.
- Two removable "Transite" shelves.
- Will cook four 9-inch pizzas (229 mm) or two 15" (381 mm) pizzas at the same time.
- Thermostatically controlled with a 15-minute timer.
- Stainless steel front.
- Painted steel body.

## OPTIONS

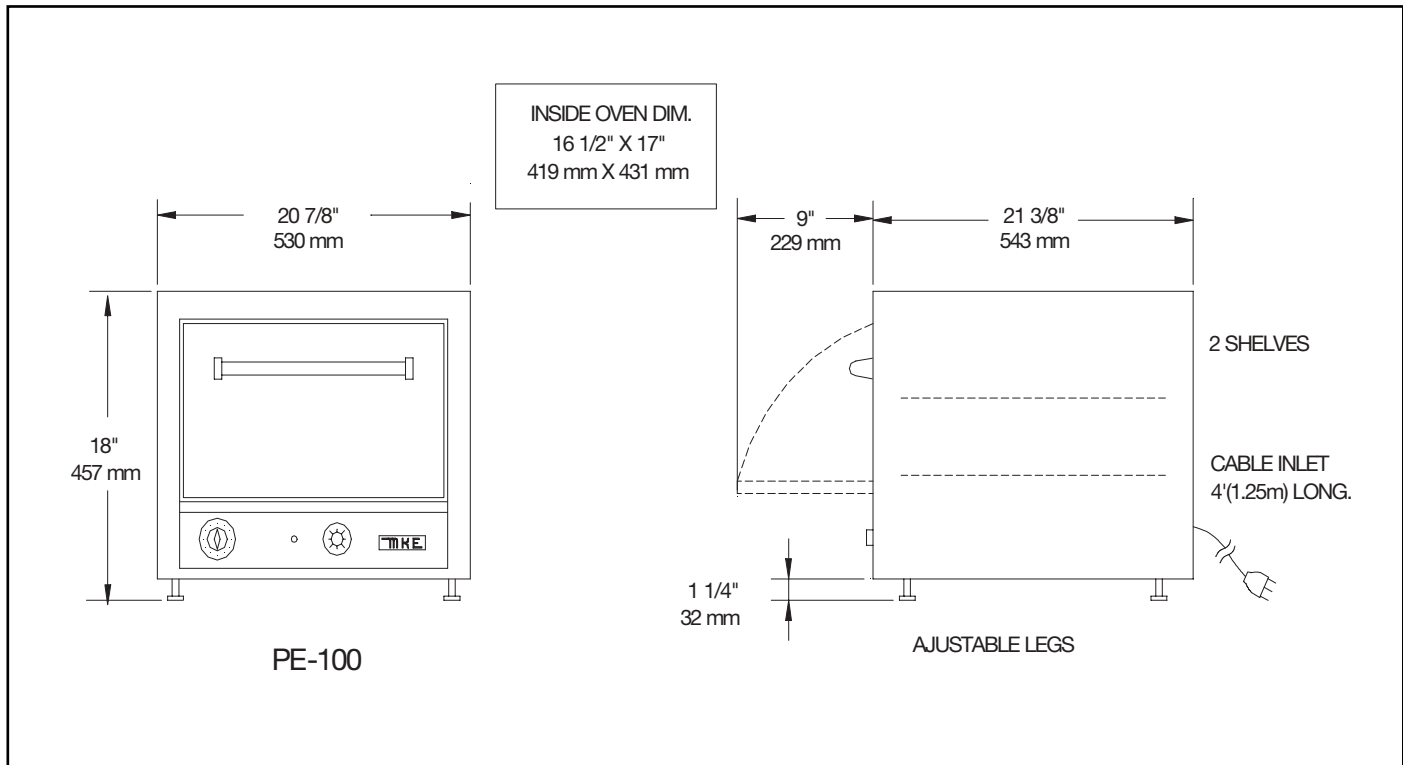
- Stainless steel back and sides.

M.K.E. Industries (1984) Inc.

183 Montcalm Blvd. N. Candiac Qc J5R 3L6 Tel: (450) 659-6531 / 1-800-361-9801 / Fax: (450) 659-2248

[www.mke-ind.com](http://www.mke-ind.com)

10/02



Model	Length	Depth	Height	Power	Amps (1 ph.)	Volume	Weight
PE-100	20 7/8" 530 mm	21 3/8" 543 mm	18" 457 mm	2700 Watts 2000 Watts	11.2 (240 V) 9.6 (208 V)	6.41 ft <sup>3</sup> 0.18 m <sup>3</sup>	160 lbs. 72.6 kg

**REQUIRED CLEARANCE**

- Adapted for installation on a combustible surface.
- For installation on or near combustible materials.
- Required minimal distances are:  
1 inch from the sides  
1 inch from the back

\* FOR COMMERCIAL USE ONLY

\* Specifications may change without notice due to continuous product improvement