

HOBART701 S Ridge Avenue, Troy, OH 45374
1-888-4HOBART • www.hobartcorp.com**LXeR and LXePR
advansys[®] HOT AND COLD****HOBART****STANDARD FEATURES**

- Racks per hour

	Light	Normal	Heavy
LXeR	30	24	13
LXePR	38	29	14
- .62 gallons of water per rack – LXeR
1.14 gallons of water per rack – LXePR
- Hot water or chemical sanitation units available
- Steam Elimination and Energy Recovery (LXeR model only)
- PuriRinse cycle (Potable water rinse to remove chemical residue) (LXePR model only)
- NSF Certified pot and pan cycle on heavy cycle (LXeR model only)
- Low chemical alert indicators
- Sense-A-Temp™ booster heater capable of 70 rise, provided on LXeR models
- Chemical pump “auto-prime”
- Advanced Service diagnostics
- Clogged wash arm sensing
- Custom cycle selection – light, normal, heavy
- Automated delime cycle – includes booster deliming
- Deep drawn stainless steel tank
- Microcomputer, top mounted controls with advanced digital cycle/temperature display
- Revolving upper and lower anti-clogging wash arms
- Snap in revolving upper and lower rinse arms
- Removable stainless steel scrap screen
- Corrosion resistant pump
- Energy Saver mode
- Automatic pumped drain
- 17" door opening
- Dirty water indicator
- Automatic fill
- Detergent, rinse aid and delime pumps standard (plus sanitizer pump on chemical machine)
- Electric tank heat
- Two dishracks – one peg and one combination type
- Customizable “advansys” button to select favorites function
- Auto clean cycle washes down inside of machine at shutdown

MODELS

- LXeR – Energy Recovery
- LXePR – PuriRinse

STANDARD VOLTAGES

- 120/208-240(3W)/60/1 (LXeR model only)
- 120/60/1 (LXePR model only)

OPTIONS AT EXTRA COST

- 208-240(2W)/60/1 (LXeR model only)
- 208-240/60/3 (LXeR model only)

ACCESSORIES

- Power cord kits
- Stainless steel base with 6" legs
- 17" stainless steel stand with storage
- External caster kit
- DWT-LXe drain water tempering kit

Specifications, Details and Dimensions on Back.

**LXeR and LXePR advansys[®] HOT AND COLD**

NOTICE

Required flowing water pressure to the dishmachine is 15-65 PSIG. If pressures higher than 65 PSIG are present, a pressure regulating valve must be installed in the water line to the dishmachine (by others).

Pressure gauge not required on pumped rinse machines.

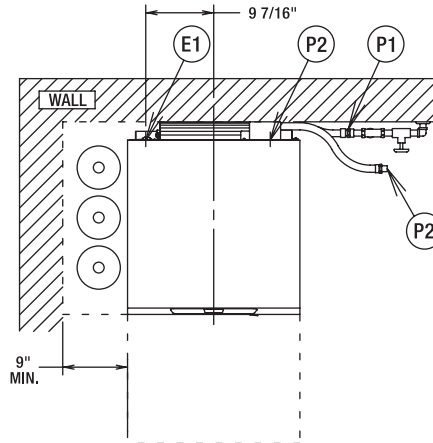
If chemical containers are to be placed in cabinet adjacent to machine, a 1/2" dia. hole is required in the cabinet to run chemical supply line.

Notes:

1. All vertical machine dimensions taken from floor may be increased by 1".
2. Moist air escapes from the door. Use only moisture resistant materials adjacent to dishmachine sides and top.
3. A vent hood is not recommended above the undercounter dishmachine since it does not produce excessive vapors.
4. A 55-80°F incoming cold water connection is recommended for the LXeR.

Plumbing notes:

1. Water hammer arrestor (meeting ASSE-1010 Standard or equivalent) to be supplied (by others) in common water supply line at service connection.
2. Recommended water hardness to be 3 grains or less for best results.
3. If drain hose is looped above a sink, the loop must not exceed 38" AFF.



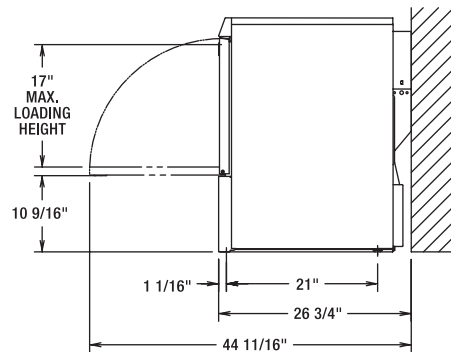
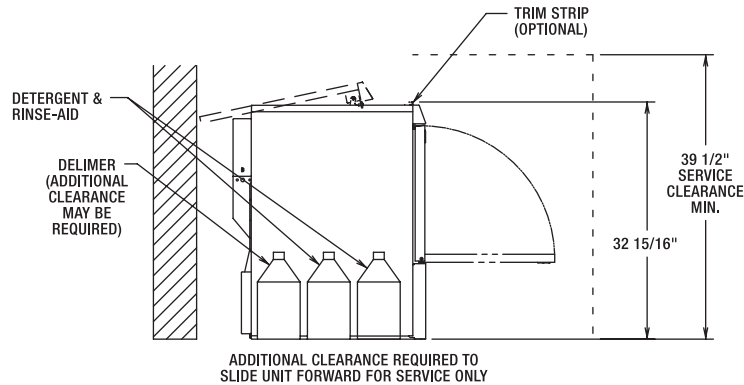
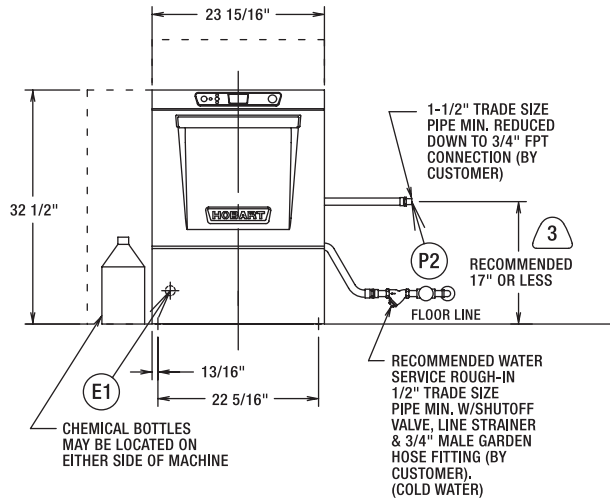
CONNECTION INFORMATION (AFF = ABOVE FINISHED FLOOR)

LEGEND

- E1** ELECTRICAL CONNECTION: 1-3/8" DIA. HOLE FOR 1" TRADE SIZE CONDUIT; 4-5/8" AFF.
- P1** SINGLE FILL AND RINSE CONNECTION: 3/4" FEMALE GARDEN HOSE FITTING ON 6' LONG HOSE SUPPLIED WITH MACHINE.; 55-80°F (COLD) RECOMMENDED FOR LXeR.
- P2** DRAIN CONNECTION: 5/8" BARB FITTING WITH 6' LONG HOSE SUPPLIED WITH MACHINE.

HEAT OUTPUT, BTU/HR		
MODEL	LATENT	SENSIBLE
LXeR	1100	2000

SHIPPING WEIGHTS		LXeR
NET WEIGHT OF MACHINE		165 LBS
DOMESTIC SHIPPING WEIGHT		185 LBS



MODEL	VOLTS/HERTZ/PHASE	RATED AMPS	MIN SUPPLY CKT CONDUCTOR AMPACITY	MAX PROTECTIVE DEVICE
LXeR	208-240/60/1	30.5	40	40
	120/208-240(3W)/60/1*	30.5	40	40
	208-240/60/3	23.9	30	30
	220-240/50/1	30.5	40	40

NOTE: FOR SUPPLY CONNECTIONS, USE COPPER WIRE ONLY RATED AT 90°C MINIMUM.
* THIS SYSTEM REQUIRES THREE POWER WIRES WHICH INCLUDES A CURRENT CARRYING NEUTRAL, AN ADDITIONAL FOURTH WIRE MUST BE PROVIDED FOR MACHINE GROUND.
ACCESSORY CORD KIT AVAILABLE FOR ALL MACHINES

WARNING

Electrical and grounding connections must comply with the applicable portions of the National Electrical Code and/or other local electrical codes.

Plumbing connections must comply with applicable sanitary, safety and plumbing codes. Drain and fill line configurations vary, some methods are shown on this drawing.

MODELS:
LXeR
00-947872
REV C



701 S Ridge Avenue, Troy, OH 45374
1-888-4HOBART • www.hobartcorp.com

LX_ePR
advansys **COLD**

⚠ WARNING

Do not premix other chemicals and sodium hypochlorite (liquid bleach).
Mixing may cause hazardous gas to form.

NOTICE

Required flowing water pressure to the dishmachine is 15-65 PSIG. If pressures higher than 65 PSIG are present, a pressure regulating valve must be installed in the water line to the dishmachine (by others).
Pressure gauge not required on pumped rinse machines.
Important: The chemical containers should be placed no higher than 10' above floor.
If chemical containers are to be placed in cabinet adjacent to machine, a 1/2" dia. hole is required in the cabinet to run chemical supply line. Use only 6% or 8.4% sodium hypochlorite (liquid bleach) as sanitizing chemical to insure proper operation of dishmachine.
Certain materials including silver plate, aluminum and pewter are attacked by sodium hypochlorite (liquid bleach). See instructional manual.

Notes:

- All vertical machine dimensions taken from floor may be increased by 1".
- Moist air escapes from the door. Use only moisture resistant materials adjacent to dishmachine sides and top.
- A vent hood is not recommended above the undercounter dishmachine since it does not produce excessive vapors.

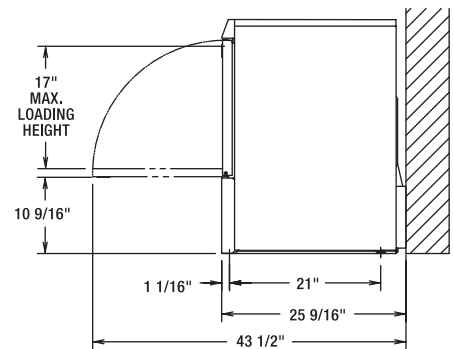
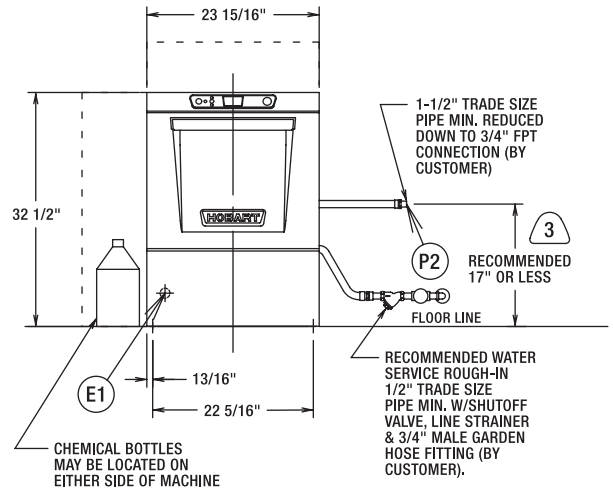
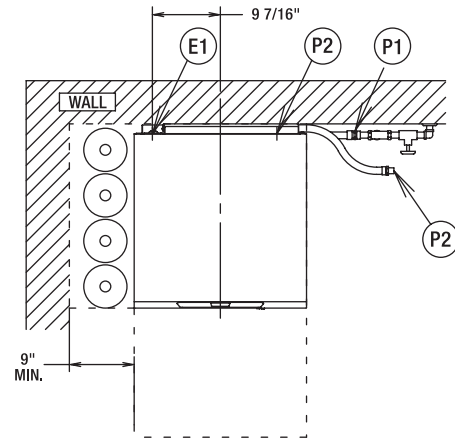
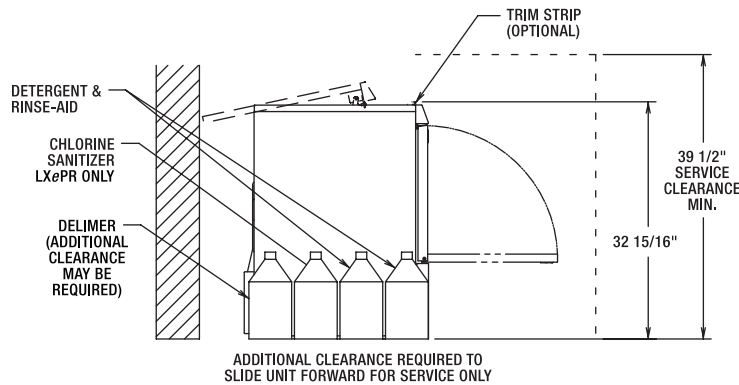
Plumbing notes:

- Water hammer arrestor (meeting ASSE-1010 Standard or equivalent) to be supplied (by others) in common water supply line at service connection.
- Recommended water hardness to be 3 grains or less for best results.
- If drain hose is looped above a sink, the loop must not exceed 38" AFF.

CONNECTION INFORMATION
(AFF = ABOVE FINISHED FLOOR)

LEGEND

- E1 ELECTRICAL CONNECTION: 1-3/8" DIA. HOLE FOR 1" TRADE SIZE CONDUIT; 4-5/8" AFF.
- P1 SINGLE FILL AND RINSE CONNECTION: 3/4" FEMALE GARDEN HOSE FITTING ON 6' LONG HOSE SUPPLIED WITH MACHINE.; 120°F WATER MIN. FOR LX_ePR, 140°F RECOMMENDED.
- P2 DRAIN CONNECTION: 5/8" BARB FITTING WITH 6' LONG HOSE SUPPLIED WITH MACHINE.



HEAT OUTPUT, BTU/HR		
MODEL	LATENT	SENSIBLE
LX _e PR	1900	800

SHIPPING WEIGHTS		LX _e PR
NET WEIGHT OF MACHINE		150 LBS
DOMESTIC SHIPPING WEIGHT		170 LBS

MODEL	VOLTS/HERTZ/PHASE	RATED AMPS	MIN SUPPLY CKT CONDUCTOR AMPACITY	MAX PROTECTIVE DEVICE
LX _e PR	120/60/1	13.4	20	20

NOTE: FOR SUPPLY CONNECTIONS, USE COPPER WIRE ONLY RATED AT 90°C MINIMUM.
ACCESSORY CORD KIT AVAILABLE FOR ALL MACHINES

⚠ WARNING

Electrical and grounding connections must comply with the applicable portions of the National Electrical Code and/or other local electrical codes.

Plumbing connections must comply with applicable sanitary, safety and plumbing codes. Drain and fill line configurations vary, some methods are shown on this drawing.

MODELS:
LX_ePR
00-947872
REV C

LXeR and LXePR advansys HOT AND COLD



701 S Ridge Avenue, Troy, OH 45374
1-888-4HOBART • www.hobartcorp.com

SPECIFICATIONS

DESIGN: Front opening, equipped for installation in either free-standing or undercounter-type operations.

CONSTRUCTION: 300 series stainless steel tank, door and top panel.

PUMP: Centrifugal-type, integral with motor, horizontally mounted. Pump capacity 38 gpm.

MOTOR: Single phase, furnished for all electrical specifications. Factory sealed lubrication. Inherent overload protection with auto reset.

WASH AND RINSE CYCLE: Complete automatic type, controlled by solid-state electronics. Cycle may be interrupted any time by opening door. Cycle continues when door is closed.

- Initial cycle fills wash tank, to be recirculated each wash cycle. Some wash water is drained off before rinse cycle. Rinse cycle refreshes wash water and tank heat.

RINSE PUMP: Powered by a single phase motor, the rinse pump is made of high strength engineered composite material.

BLOWER: The blower is a 60mm x 300mm tangential wheel powered by a 2-pole single phase motor for quiet and reliable operation, LXeR only.

CONDENSER COIL: The condensing system uses a tube and fin coil constructed of copper and corrosion resistant aluminum. The condenser coil allows for energy recovery from waste heat in the moisture laden air that would normally escape into the environment after a dishwashing cycle, LXeR only.

RINSE AND SANITIZATION:

- LXeR:** Sanitation is accomplished by means of a built-in booster heater designed to raise temperature of water to a minimum of 180°F from an incoming water temperature of 55°F.

- LXePR:** Sanitation is accomplished by injection of proper amount of sodium hypochlorite solution (liquid bleach) into final rinse water to achieve a minimum of 50PPM sanitizing solution. Injection of sodium hypochlorite is accomplished by a built-in sanitizing chemical pump. Minimum required hot water temperature is 120°F.

- Potable water rinse to remove chemical residue.
- To be used with sanitizer approved for use with post sanitizing rinse

- CHECK SANITIZER CONCENTRATION:** PuriRinse must be off (hold Wash button for 5 seconds). Verify that there is sufficient chemical supply. Run cycle and use test strips on wetted surface of glasses after cycle is complete. If concentration is below minimum required, contact your local Hobart Service office.

ENERGY RECOVERY: Heat energy is recovered from the condensation of vapors in the chamber at the end of each cycle. This pre-heats the water for the next rinse cycle from 55°F up to 140°F.

PUMPED DRAIN: Machine automatically drains water through a built-in pump. Maximum 38" drain height permitted.

ELECTRIC BOOSTER HEATER: 4.9 KW electric booster with Sense-A-Temp™ technology adequately sized to raise 55°F inlet water to 180°F, with the aid of the energy recovery system.

RACKING: Machines accommodate racks from 10" x 20" to 20" x 20". Also accepts 16" x 18" cafeteria trays.

NOTE: Certain materials, including silver, aluminum and pewter are attacked by Sodium Hypochlorite solution in the chemical sanitizing mode of operation.

SPECIFICATIONS: Listed by Underwriters Laboratories Inc. and NSF International.

MACHINE RATINGS	LXePR			LXeR		
	Light	Normal	Heavy	Light	Normal	Heavy
Racks per Hour Rate	38	29	14	30	24	13
Dishes per Hour (25 per Rack Avg.)	950	725	350	750	600	325
Glasses per Hour (36 per Rack Avg.)	1368	1044	504	1080	864	468
Controls	Microcomputer					
Tank Capacity - Gallons	2.9					
Overall Dimensions - H x W x D	32½" x 23½" x 25⅞"			32½" x 23½" x 26⅜"		
Cycle Time - Seconds	94	124	254	120	146	275
Tank Heat	1.8 KW					
Electric Booster Heater	N/A			4.9 KW		
Water Usage Per Rack - Gallons	1.14			.62		
Drain Design	Pumped					
Door Opening Height	17"					
Detergent Pump	Standard					
Rinse-Aid Pump	Standard					
Delime Pump	Standard					
Sanitizer Pump	Standard			N/A		
Chemical Prime (auto prime)	Standard					
Peak Drain Flow - GPM	4.0					
Advanced Service Diagnostics	Standard					
Advanced Cleaning Cycle	Standard					
70° Rise Sense-A-Temp™ Booster Heater	N/A			Standard		
Incoming Water Temperature Required (minimum)	120°			55°		

As continued product improvement is a policy of Hobart, specifications are subject to change without notice.