

BUNN®

CWTF35-TS

Brew directly into portable insulated servers that keep coffee at optimal flavor for hours

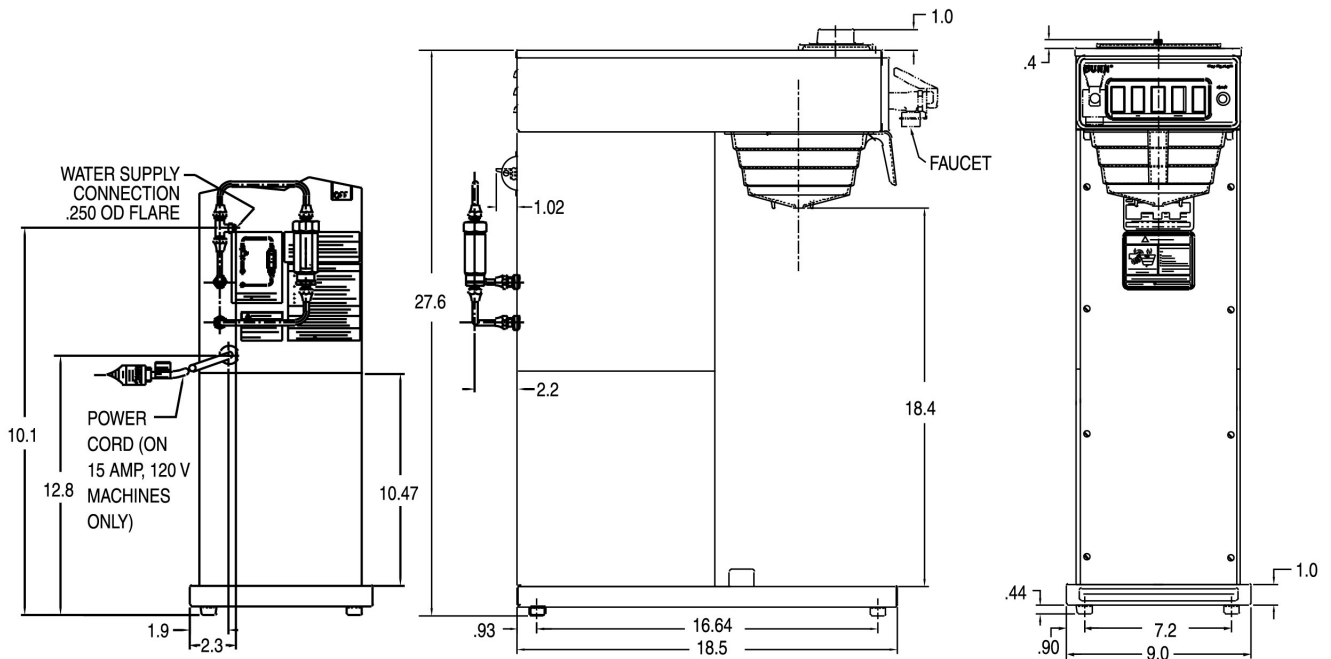
22.86 cm x 70.1 cm x 46.99 cm

(236 milliliters servings)

- Hot water faucet
- Internal components are constructed from stainless steel
- Pourover Feature



Product No	Channel	Water Access	Coffee Server Type	Coffee Capacity Range
23000.6016	Amusement and Leisure College and University Convenience Store Full Service Healthcare Lodging and Hospitality Office System Quick Serve Restaurant	Plumbed	Thermal Server	Medium
Brewer Type	Finish	2D Format CAD Available	Minimum Input Pressure	Maximum Input Pressure
Thermal Systems	Black	Yes	138 kPa	621 kPa
Inlet Water Fitting	Faucet Location	Funnel Type	Machine Depth	Machine Width
1/4" Male Flare Fitting	Upper	Black Plastic	46.99 cm	22.86 cm
Machine Height				



To see illustrated parts manuals, visit bunn.com/support/manuals

BUNN® reserves the right to change specifications and product design without notice. Such revisions do not entitle the buyer to corresponding changes, improvements, additions, or replacements for previously purchased equipment. For most current specifications and other info visit bunn.com. All dimensions shown in inches.