

ELECTRIC SANDWICH GRIDDLES

**B-20M
B-24M
B-36M**



**MODELS
B-20M
B-24M B-36M**

Cooking surface		Elements
B-20M	17 1/2" x 19" 445 x 483 mm	1
B-24M	23 1/2" x 19" 597 x 483 mm	2
B-36M	35 1/2" x 19" 902 x 483 mm	3



PROJECT _____

ITEM _____

DESCRIPTION

- Electric griddle with one, two or three elements.
- Designed for banking with other MKE counter equipment.
- Stainless steel front.
- Painted steel sides.
- 1/2" (13 mm) thick polished steel plate.
- 3" (76 mm) splashguard on three sides.
- Thermostat controlled plate from 150°F to 450°F (65°C to 232°C).
- Grease trough with removable front grease drawer.
- Adjustable legs.

OPTIONS

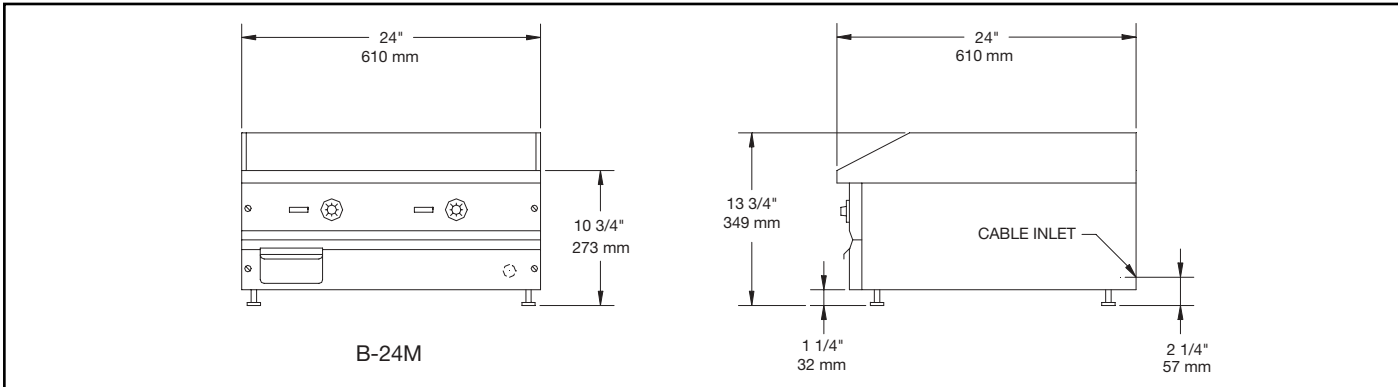
- Stainless steel sides and back.

M.K.E. Industries (1984) Inc.

183 Montcalm Blvd. N. Candiac Qc J5R 3L6 Tel: (450) 659-6531 / 1-800-361-9801 / Fax: (450) 659-2248

www.mke-ind.com

10/02



Model	Length	Depth	Height	Power	1-phase current (Amps)		3-phase current (Amps)						Volume	Weight
					208V	240V	208V			240V				
							X	Y	Z	X	Y	Z		
B-20M	18" 457 mm	24" 610 mm	13 3/4" 349 mm	4000 W	19.2	17	N/A	N/A	N/A	N/A	N/A	N/A	6.0 ft ³ 0.16 m ³	160 lbs. 73 kg
B-24M	24" 610 mm	24" 610 mm	13 3/4" 349 mm	8000 W	38.4	34	19.2	33.4	19.2	16.7	29	16.7	6.4 ft ³ 0.18 m ³	170 lbs. 77 kg
B-36M	36" 914 mm	24" 610 mm	13 3/4" 349 mm	12000 W	57.6	50	33.3	33.3	33.3	28.9	28.9	28.9	9.5 ft ³ 0.36 m ³	235 lbs. 107 kg

Model	B-20M		B-24M		B-36M	
	Approx. Capacity	Hourly	Approx. Capacity	Hourly	Approx. Capacity	Hourly
Hamburgers 3 1/2 oz (100g) 350°F (177°C)	22	176	34	272	56	448
Fried Eggs 300°F (150°C)	20	400	26	520	40	800
4 oz. Minute Steak 1/2" (13mm) thick 350°F (177°C)	9	90	15	150	27	270
4" Pancakes (100mm) 375°F (190°C)	20	400	26	520	40	800
Hamburger Bun 3 1/2" (90mm) 350°F (177°C)	22	660	30	900	46	1380
Slices of bacon 22-32 350°F (177°C)	3 lbs. 1.4 kg	36 lbs. 16.3 kg	4 lbs. 1.8 kg	48 lbs. 21.8 kg	6 lbs. 2.7 kg	72 lbs. 32.7 kg
Sausages 325°F (163°C)	6 lbs. 2.7 kg	36 lbs. 16.3 kg	8 lbs. 3.6 kg	48 lbs. 21.8 kg	12 lbs. 5.4 kg	72 lbs. 32.7 kg

REQUIRED CLEARANCE

- Adapted for installation on a combustible surface.
- For installation on or near combustible materials.
- Required minimal distances are:
1 inch from the sides
1 inch from the back

** FOR COMMERCIAL USE ONLY*

* Specifications may change without notice due to continuous product improvement