

ELECTRIC SANDWICH GRIDDLE

B-15M



MODEL B-15M

Cooking Surface

17 1/2" X 19"
445 mm X 483 mm



PROJECT _____

ITEM _____

DESCRIPTION

- Stainless steel front and top.
- Black painted steel sides and back.
- Counter-balanced upper steel plate.
- 3/8" (10 mm) thick upper and 1/2" (13 mm) thick lower polished steel plates.
- Upper plate controlled by an infinite switch with pilot light.
- 3" (76 mm) splashguard on three sides.
- Thermostatically controlled lower plate.
- Large grease trough and removable drawer.

OPTIONS

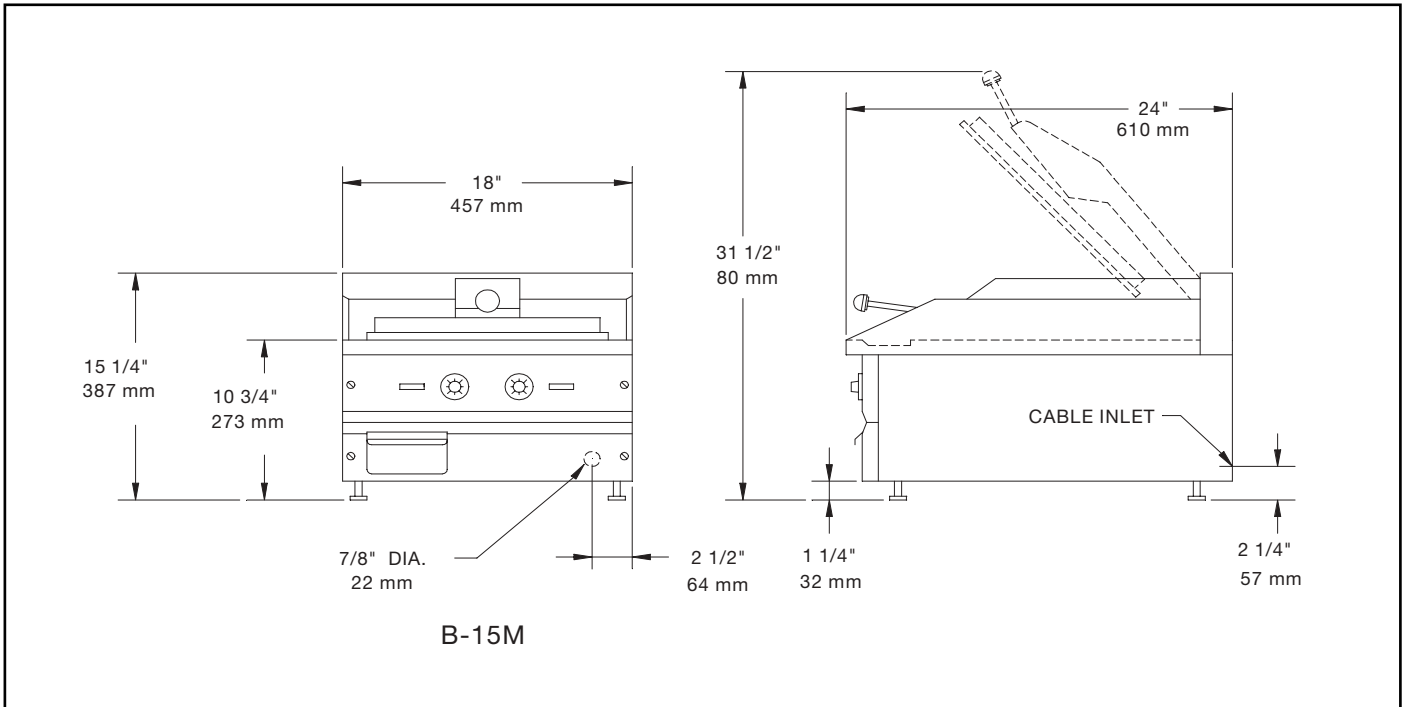
- Stainless steel sides and back.

M.K.E. Industries (1984) Inc.

183 Montcalm Blvd. N. Candiac Qc J5R 3L6 Tel: (450) 659-6531 / 1-800-361-9801 / Fax: (450) 659-2248

www.mke-ind.com

10/02



Model	Length	Depth	Height	Power	1- phase current (Amps)		3-phase current (Amps)						Volume	Weight
					208V	240V	208V			240V				
							X	Y	Z	X	Y	Z		
B-15M	18" 457 mm	24" 610 mm	13 3/4" 349 mm	6000 W	28.8	25	14.4	25.1	14.4	12.5	21.8	12.5	3.5 ft ³ .09 m ³	155 lbs. 71 kg

REQUIRED CLEARANCE

- Adapted for installation on a combustible surface.
- For installation on or near combustible materials.
- Required minimal distances are:
1 inch from the sides
1 inch from the back

* FOR COMMERCIAL USE ONLY

* Specifications may change without notice due to continuous product improvement