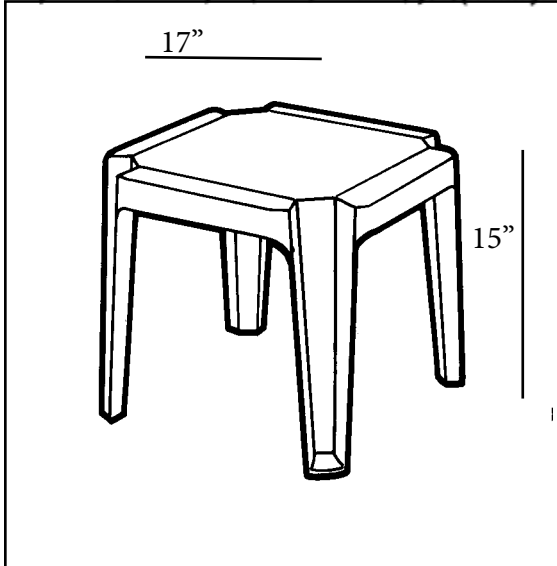




COMMERCIAL RESIN FURNITURE

Your best value for Food Service & Hospitality!



Miami 17" x 17" Stacking Low Table

Features & Benefits **Warranty: 1 Yr.**

- One piece molded construction.
- Constructed of 100% prime resin.
- Stacks for easy storage.
- U.V. stabilizers resist color fading and deterioration.
- Withstands extreme weather conditions, from cold winters to hot and humid summers.
- Stays cool to the touch in the hot sun.
- Cleans easily with soap and water.
- Complements Grosfillex chaises and chairs on balconies and pool decks.

Product Specifications

Product Description	Reference Number	Color	UPC Code	Weight Each (lbs.)	Master Pack	Master Pack Volume (cu. ft.)
Miami 17" x 17" Low Table	52099004	White	014306 209944	2.89	30	11.64
	US529804	White	209944	3.17	6	4.02
	52099066	Sandstone	704258	2.89	30	11.64
	US529866	Sandstone	704258	3.17	6	4.02
	52099037	Bronze Mist	136370	2.89	30	11.64
	US529837	Bronze Mist	136370	3.17	6	4.02