

BUNN®

AXIOM 4/2 TWIN (4U/ 2L Warmers)

Medium volume brewing solution with
simple switch controls

41.66 cm x 48.51 cm x 44.96 cm

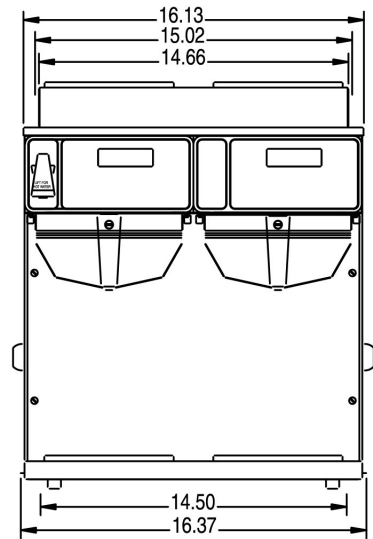
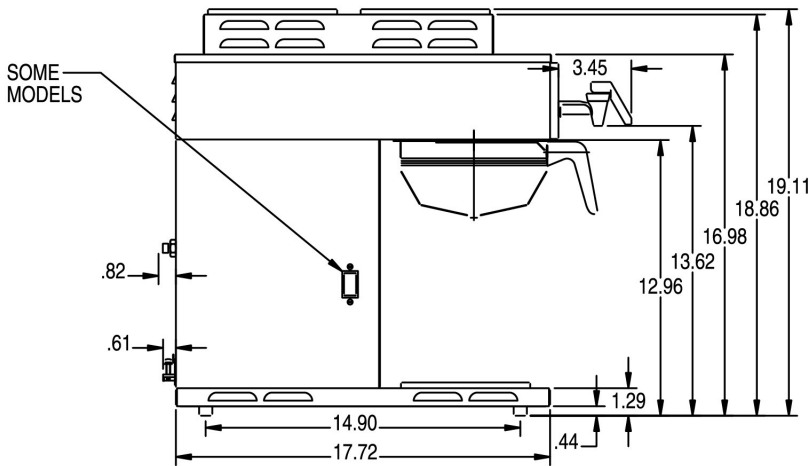
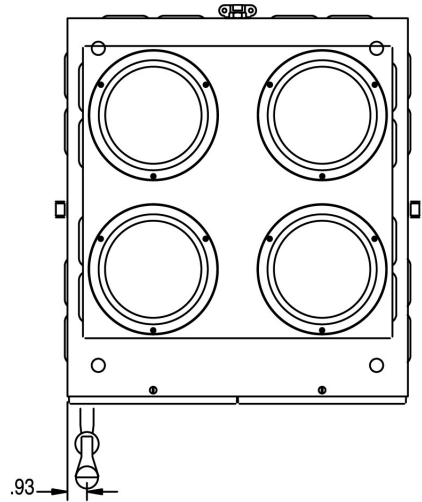
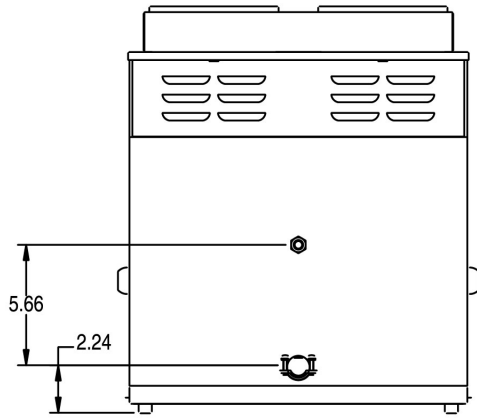
(236 milliliters servings)



- Cold brew lock-out and automatic warmer time-out ensure high quality, fresh tasting coffee
- Electronic diagnostics and built-in tank drain make service easier
- Front of machine programming simplifies installation
- For high lime areas, BrewLOGIC® technology calculates flow rate and adjusts brew time to maintain consistent pot levels
- Pot level, cold brew lock-out and tank temperature set easily from advanced touch pad on front of machine
- All stainless steel construction
- Coffee extraction controlled with pre-infusion and pulse brew, digital temperature control, and large sprayhead; coffee strength controlled with variable by-pass.
- Energy-saver mode reduces tank temperature during idle periods
- Ensures coffee brew quality with cold brew lock out capability
- Hot water faucet
- Six individually controlled warming stations
- SplashGard® funnel deflects hot liquids away from the hand
- Twin brew head system

| Product No | Channel | Water Access | Coffee Server Type | Coffee Capacity Range |
|------------------------|---------------------------------------------------------------------------------------------------------------------------------------------|-------------------------|------------------------|-------------------------|
| 38700.6014 | Amusement and Leisure College and University Convenience Store Full Service Healthcare Lodging and Hospitality Quick Serve Restaurant | Plumbed | Decanter | Medium |
| Brewer Type | Number of Warmers | Finish | Funnel Locks | 2D Format CAD Available |
| Automatics | Four Upper / Two Lower | Stainless | No | Yes |
| Minimum Input Pressure | Maximum Input Pressure | Inlet Water Fitting | Digital Brewer Control | Faucet Location |
| 138 kPa | 621 kPa | 3/8" Male Flare Fitting | Yes | Upper |

| Funnel Type | Machine Depth | Machine Width | Machine Height |
|-----------------|---------------|---------------|----------------|
| Stainless Steel | 44.96 cm | 41.66 cm | 48.51 cm |



To see illustrated parts manuals, visit bunn.com/support/manuals

BUNN® reserves the right to change specifications and product design without notice. Such revisions do not entitle the buyer to corresponding changes, improvements, additions, or replacements for previously purchased equipment. For most current specifications and other info visit bunn.com. All dimensions shown in inches.